

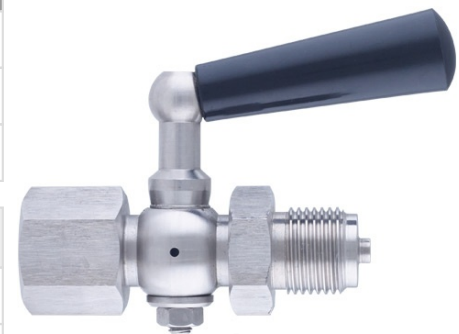
Pressure Gauges / Accessories / 3 way Pressure Cock Valves

CONSTRUCTIVE PROPERTIES

| | STANDARD | OPTIONAL |
|------------------|----------|---------------------------|
| Material | Brass | Stainless Steel AISI-316L |
| Max. Temperature | 50°C | |
| Nominal Diameter | DN 15 | |

USAGE PROPERTIES

| | | |
|---------------|---|---|
| Max. Pressure | PN 64 | - |
| Applications | Used where pressure gauge is intended for controlling purpose and the value not needed to be seen continuously. | |

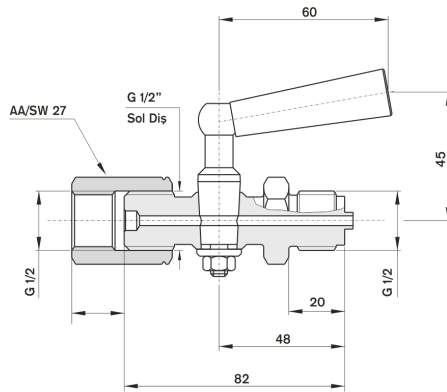


1042

3 Way Pressure Cock Valves

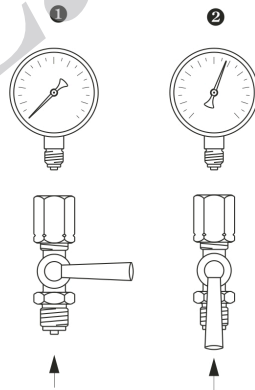
www.Laheghi.com

Pressure Gauges / Accessories / 3 way Pressure Cock Valves



Model No: 1042

www.Laheghi.com



Model No: 1042

**ACCESSORIES FOR PRESSURE GAUGES
PRESSURE COCK VALVES**

11.11

